

**GROVE**

ABDECKUNG (STANDARD)  
COVERING (STANDARD)

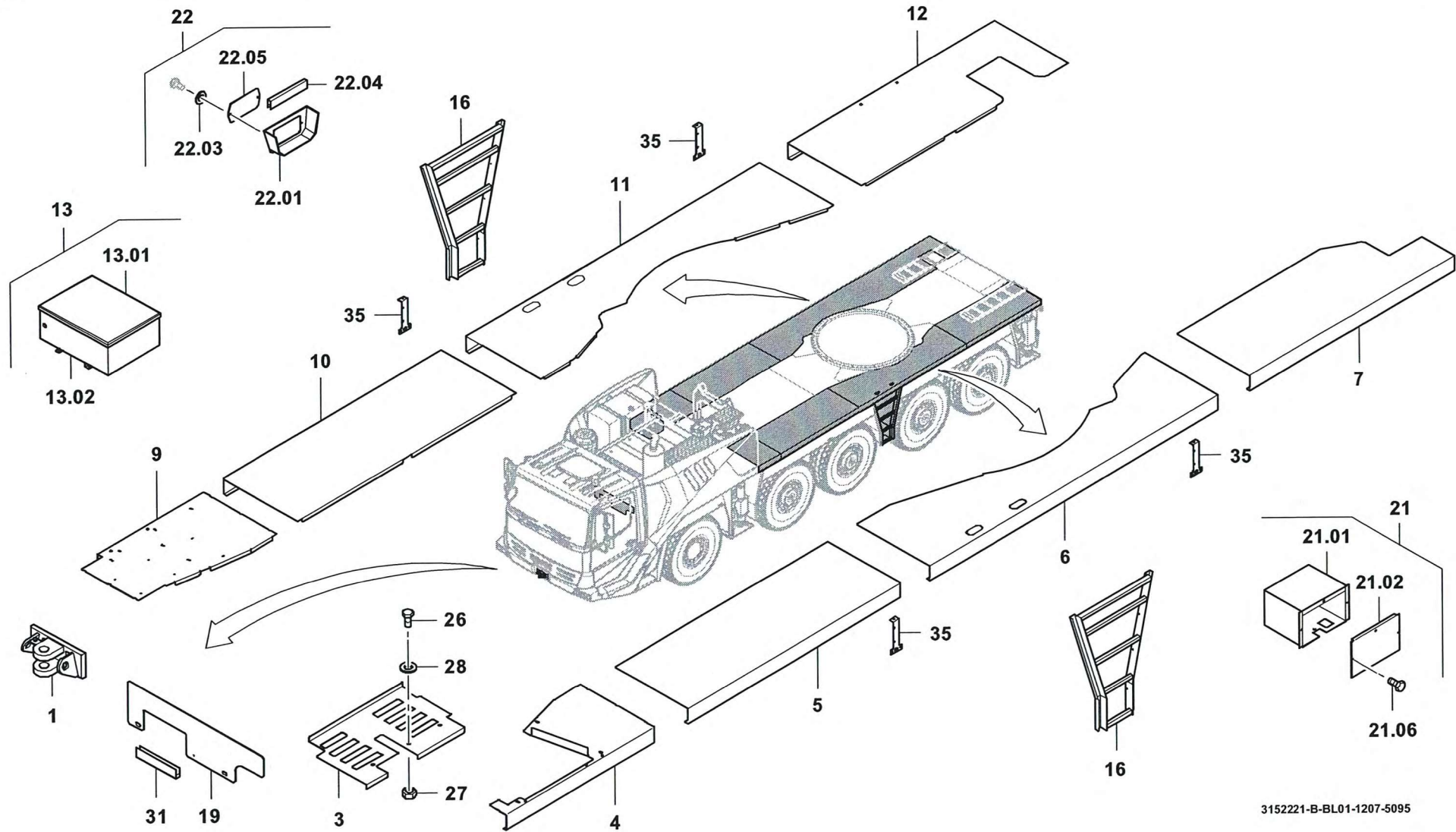
BILDТАФЕЛ  
PICTORIAL DISPLAY

12.07

**3152221-ETL B**

1/1

**GMK 5095**  
**BE 505**  
**G 034**



3152221-B-BL01-1207-5095